

# Kirby Drop-In Packaged Refrigeration Units



Ready to Install,  
so it's as easy as ABC

800W 4100W



### Front Cover - ABC

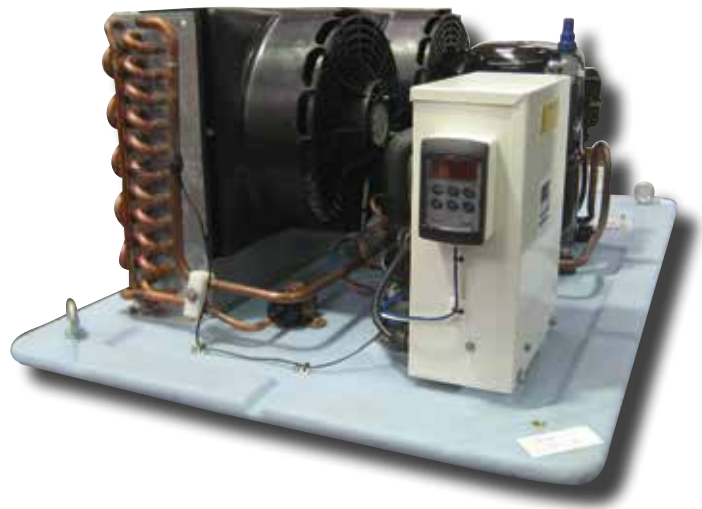
With the Kirby range of **Drop-In Packaged Units**, life has been made easy. These 'plug and play', feature packed systems are supplied complete - ready to run and easy to install. It means the hard work is taken out of the job, so you can be on your way, sooner.

It's as easy as ABC!

# Kirby Drop-In Packaged Refrigeration Units

The Kirby Drop-in unit range will make it easier for you to install and complete your job.

Now Heatcraft have made it even easier to use the Kirby Drop-in units with a Dixell control installed as standard on all models, plus the medium temperature application units come with an extended cable so you are able to remote mount the digital thermostat.



## Kirby Drop-In Packaged Refrigeration Unit – Nomenclature Data

KS	C	1800	4
Release Number			
<b>Unit Capacity (Watts)</b> R22 for M/T & R404a for L/T eg: 1800 = 1800 Watts			
<b>Application</b> C = Cool Room Range, M/T F = Freezer Room Range, L/T			
<b>Unit Type</b> KP = Low Profile Series KS = Standard Profile Series			



# Kirby Drop-In Packaged Refrigeration Units

## Features & Benefits

The Kirby Drop-in Packaged Refrigeration Units offer:

- Evaporator coil corrosion protection, liquid line dryer, capillary tube refrigerant control, pressure control & Dixell electronic control on all units
- Medium Temperature Units feature off cycle defrost only
- Low Temperature Units feature electric defrost with temperature switch termination and a pressure safety switch
- Fully wired with 3-pin domestic cable plug for all units
- All models use CFC-free foam insulation
- New and improved, slimline electrical box
- Units are ready to install straight from the box

## Notes

- Qualified refrigeration professionals should supervise initial selection and commissioning
- Kirby Drop-In Packaged Refrigeration Units are distributed via refrigeration professionals who provide on-going warranty and support

## New Design

- All new units now come with encapsulated pressure controls
- All new units now have 3 different temperature probes (one for the evaporator coil, one for the condenser coil, and one for the room temperature)
- All tubes in the top half of the drop-in units have been modified and re-modelled
- All new units use tube support and saddles for the drier to reduce vibration and noise



Standard Profile Series

Now supplied with a Dixell control installed as standard on all models



Low Profile Series

# Kirby Drop-In Packaged Refrigeration Units Performance Data



## Medium Temperature

Model Number	Compressor		Watts Capacity @ +2°C Room Temp.	Evap. KTD	Grams R22 Charge	Max Amb.	Max SST@Amb.
	Model	Nom. HP					
KPC 800 - 4	BA9MG-1KS	1/3	800	6	620	43°C	+5°C
KPC 1000 - 4	BA12MG-1KS	3/8	1000	6.5	645	43°C	+5°C
KPC 1200 - 4	BA14MG-1KS	1/2	1150	6.5	980	43°C	+5°C
KPC 1400 - 4	BA16MG-4KS	3/4	1440	6.2	1150	43°C	+5°C
KPC 1700 - 4	BA18MG-1KS	7/8	1650	6.5	1100	43°C	+10°C
KSC 1800 - 4	BA18MG-1KS	7/8	1750	6	1100	43°C	+10°C
KSC 2000 - 4	WJ26MHG-3C	1-1/4	2110	6.5	1435	43°C	+10°C
KSC 2900 - 4	WJ31MHG-1C	1-1/2	2850	7	1800	43°C	+10°C
KSC 4100 - 4	AW48MHG-1C	2	4100	6.5	2700	43°C	+10°C

**NOTES:**

- Ratings given on medium temperature units are at conditions of +2°C room temperature, +32°C ambient with R22
- The M/T range packaged units are designed to operate within an ambient temperature range of +10°C to +43°C and a room temperature range of +2°C TO +15°C.
- Medium Temperature Cool Rooms - Units from 1140W to 4100W at +2°C storage. Approved range 2°C to 15°C

## Low Temperature

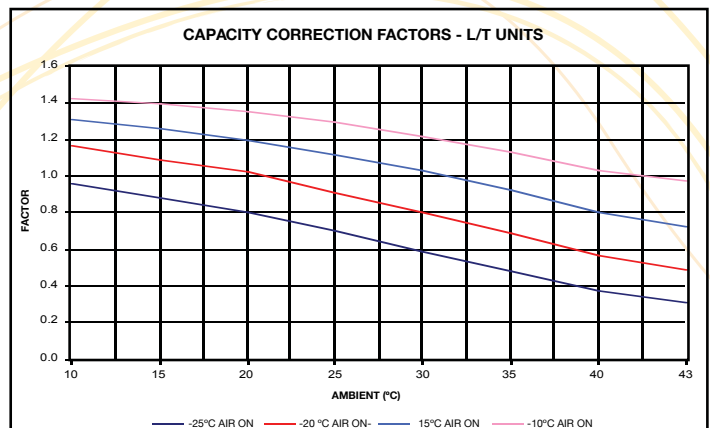
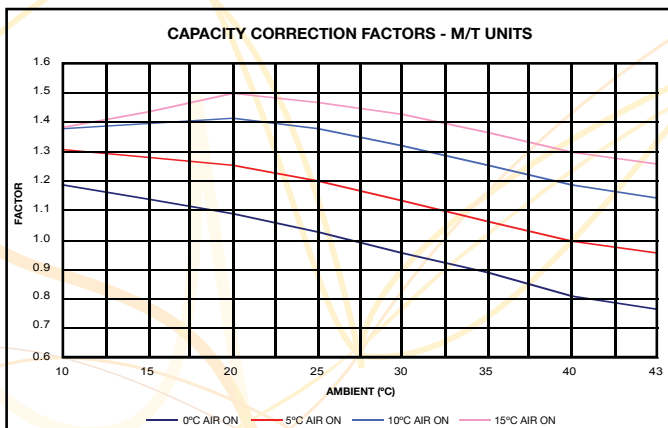
Model Number	Compressor		Watts Capacity @ -15°C Room Temp.	Evap. KTD	Grams R404a Charge	Max Amb.	Max SST@Amb.
	Model	Nom. HP					
KPF 1000 - 4	WJ26LZ-3C	3/4	940	6.5	975	43°C	-15°C
KPF 1200 - 4	WJ31LZ-1C	1	1150	6.5	820	43°C	-15°C
KSF 1500 - 4	AW43LZ-5C	1-1/4	1525	4	1450	43°C	-15°C
KSF 2000 - 4	AW54LZ-1	1-1/2	1970	4.5	1500	43°C	-15°C
KSFT 2600 - 4	AVA2490ZXG	2	2540	4.5	1700	43°C	-15°C

**NOTES:**

- Ratings given on low temperature units are at conditions of -15°C room temperature, +32°C ambient with R404a
- The L/T range packaged units are designed to operate within an ambient temperature range of +10°C to +43°C and a room temperature range of -10°C TO -25°C.
- Low Temperature Freezer Rooms - Units from 1970W to 2540W at -15°C. Approved range -25°C to -10°C

## Capacity Correction Factors & Application Range

Obtain capacity correction factor from the appropriate graph, using the design conditions for ambient temperature and storage room temperature (air on). Multiply the unit capacity by the capacity correction factor to obtain the adjusted unit capacity in watts.





# Kirby Drop-In Packaged Refrigeration Units

## Technical Data



### Medium Temperature

Model Number	Compressor				Condenser Fan			Evaporator Fan			Unit		
	Model	Amps			Volts / Ph	Amps	Watts	Volts / Ph	Amps	Watts	Amps		
		RLA*	MCC*	LRA		RLA*	Input		RLA*	Input	RLA*	MCC*	LRA
KPC 800 - 4	BA9MG-1KS	2.9	4.2	14.5	240 / 1	0.32	40	240 / 1	0.26	27	4.2	5.3	14.5
KPC 1000 - 4	BA12MG-1KS	2.5	3.6	14.8	240 / 1	0.32	40	240 / 1	0.26	30	3.2	4.7	14.8
KPC 1200 - 4	BA14MG-1KS	2.9	3.8	15.2	240 / 1	0.6	80	240 / 1	0.3	35	3.6	5.3	15.2
KPC 1400 - 4	BA16MG-4KS	3.8	4.4	14.6	240 / 1	0.6	80	240 / 1	0.28	45	4.2	5.8	14.6
KPC 1700 - 4	BA18MG-1KS	3.8	5.8	19	240 / 1	0.6	80	240 / 1	0.28	45	4	7.2	19
KSC 1800 - 4	BA18MG-1KS	3.8	5.8	19	240 / 1	0.6	80	240 / 1	0.32	73	4.3	6.7	19
KSC 2000 - 4	WJ26MHG-3C	6.7	10.5	31	240 / 1	0.32	73	240 / 1	0.32	73	5.4	11.1	31
KSC 2900 - 4	WJ31MHG-1C	7.6	11.9	36	240 / 1	0.6	80	240 / 1	0.32	73	7.4	13.7	36
KSC 4100 - 4	AW48MHG-1C	10.8	16.8	55	240 / 1	0.6	80	240 / 1	0.32	73	10.6	18.6	55

\* = Unit and Compressor RLA data are taken at +2°C air on, +32°C ambient condition for M/T application units. Unit MCC data are based on compressor MCC + fan RLA.

Model Number	Condenser		Evaporator		Cut Hole		Sound Data	
	Air Flow (L/S)	Fan Dia. X QTY	Air Flow (L/S)	Fan Dia. X QTY	Dimm. in mm		LwA *	LpA 3m **
					Length	Width		
KPC 800 - 4	120	230 x 1	165	178 x 3	825	435	67.6	47.1
KPC 1000 - 4	105	230 x 1	175	178 x 3	825	435	68.1	47.6
KPC 1200 - 4	275	300 x 1	235	178 x 3	1045	435	70.1	49.6
KPC 1400 - 4	245	300 x 1	270	178 x 3	1045	435	70.6	50.1
KPC 1700 - 4	245	300 x 1	270	178 x 3	1045	435	71.6	51.1
KSC 1800 - 4	245	300 x 1	380	300 x 1	660	550	71.6	51.1
KSC 2000 - 4	340	300 x 1	360	300 x 1	660	550	73.3	52.8
KSC 2900 - 4	580	300 x 2	755	300 x 2	1085	660	73.6	53.1
KSC 4100 - 4	560	300 x 2	820	300 x 2	1085	660	74.1	53.6

\* LwA: Sound power level, dB(A) \*\* LpA: Sound pressure level, dB(A)

### Low Temperature

Model Number	Compressor				Condenser Fan			Evaporator Fan			Unit		
	Model	Amps			Volts / Ph	Amps	Watts	Volts / Ph	Amps	Watts	Amps		
		RLA*	MCC*	LRA		RLA*	Input		RLA*	Input	RLA*	MCC*	LRA
KPF 1000 - 4	WJ26LZ-3C	4.2	6.2	30	240 / 1	0.6	80	240 / 1	0.3	35	4.2	7.7	30
KPF 1200 - 4	WJ31LZ-1C	4.9	7.4	36	240 / 1	0.6	80	240 / 1	0.3	35	6.7	8.9	36
KSF 1500 - 4	AW43LZ-5C	6.9	9.9	43	240 / 1	0.32	73	240 / 1	0.65	155	7.9	10.9	43
KSF 2000 - 4	AW54LZ-1	8.1	12.3	43	240 / 1	0.6	80	240 / 1	0.32	73	10.6	14.1	43
KSFT 2600 - 4	AWA2490ZXGB-1	3.6 / Ph	8.3 / Ph	38.3 / Ph	240 / 1	0.6	80	240 / 1	0.32	73	6.4 / Ph	10.1 / Ph	38.3 / Ph

\* = Unit and Compressor RLA data are taken at -15°C air on, +32°C ambient condition for L/T application units. Unit MCC data are based on compressor MCC + fan RLA.

Model Number	Condenser		Evaporator		Heater Element (Watts)	Cut Hole		Sound Data	
	Fan Dia. X QTY	Air Flow (L/S)	Fan Dia. X QTY	Air Flow (L/S)		Dimm. in mm		LwA *	LpA 3m **
					Length	Width			
KPF 1000 - 4	300 x 1	275	178 x 3	235	1480	1045	435	70.4	49.9
KPF 1200 - 4	300 x 1	245	178 x 3	235	1480	1045	435	70.9	50.4
KSF 1500 - 4	300 x 1	340	350 x 1	530	1795	660	550	72.9	52.4
KSF 2000 - 4	300 x 2	580	300 x 2	750	2300	1085	660	73.4	52.9
KSFT 2600 - 4	300 x 2	560	300 x 2	820	2300	1085	660	76.4	55.9

\* LwA: Sound power level, dB(A) \*\* LpA: Sound pressure level, dB(A)

- Notes:
- All Kirby Kulthorn hermetic reciprocating compressors used in Kirby drop-in packaged units are charged with PolyolEster (POE) oil.
  - POE oil can be used with HCFC refrigerants, such as R22, and HFC refrigerants, such as R404A, R507, R407C and R134a.
  - Use ONLY POE oil, do NOT mix POE with other oils, when using HFC refrigerants.
  - Sound data is based on manufacturers data for compressor and tested fan data. Actual results may vary depending on conditions and application

# Kirby Drop-In Packaged Refrigeration Units

## Technical Data

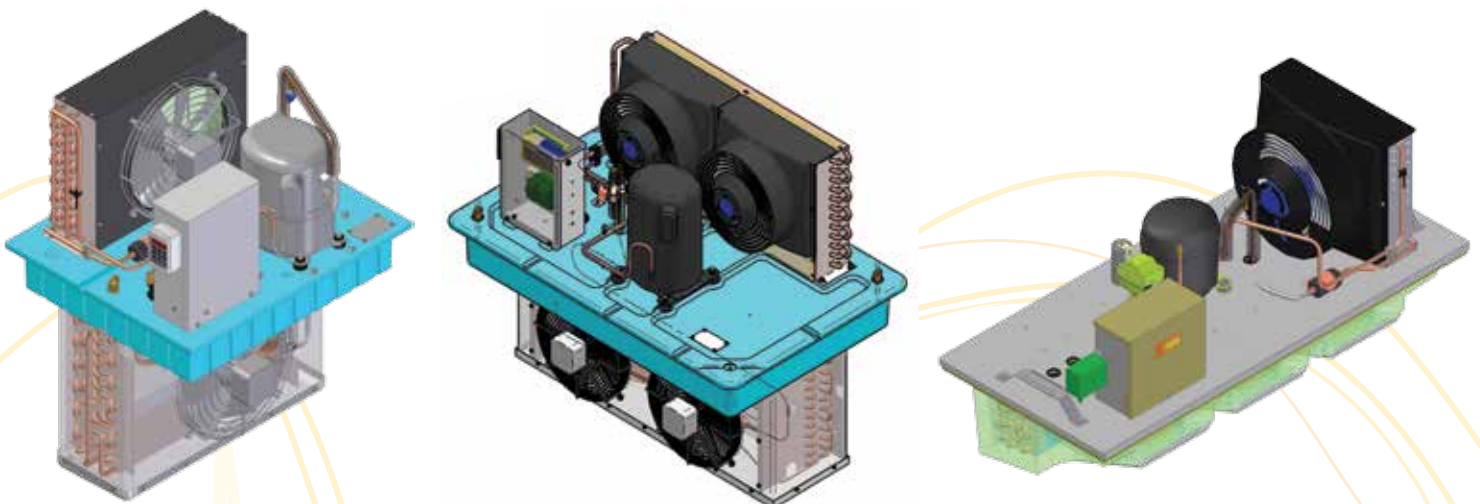


### Dixell Control Settings

Dixell controls are supplied with factory default settings as listed in the Dixell instruction manual, supplied with individual units. Heatcraft alters some of these settings as listed in the table below.

Model Number	Control	Temperature				Defrost Time	Defrost Type	Control Type *
		Cut In	Cut Out	Defrost Termination	Fans Stop			
KPC 800 - 4	XR30CX	3°C	1°C	-	-	-	Off Cycle	Fixed To Unit
KPC 1000 - 4	XR30CX	3°C	1°C	-	-	-	Off Cycle	Fixed To Unit
KPC 1200 - 4	XR30CX	3°C	1°C	-	-	-	Off Cycle	Fixed To Unit
KPC 1400 - 4	XR30CX	3°C	1°C	-	-	-	Off Cycle	Fixed To Unit
KPC 1700 - 4	XR30CX	3°C	1°C	-	-	-	Off Cycle	Fixed To Unit
KSC 1800 - 4	XW60K	3°C	1°C	-	-	-	Off Cycle	Fixed To Unit
KSC 2000 - 4	XW60K	3°C	1°C	-	-	-	Off Cycle	Fixed To Unit
KSC 2900 - 4	XW60K	3°C	1°C	-	-	-	Off Cycle	Fixed To Unit
KSC 4100 - 4	XW60K	3°C	1°C	-	-	-	Off Cycle	Fixed To Unit
KPF 1000 - 4	XW60K	-15°C	-17°C	2°C	11°C	20 Min	Electric Defrost	Remote Mount Option
KPF 1200 - 4	XW60K	-15°C	-17°C	2°C	11°C	21 Min	Electric Defrost	Remote Mount Option
KSF 1500 - 4	XW60K	-15°C	-17°C	2°C	11°C	22 Min	Electric Defrost	Remote Mount Option
KSF 2000 - 4	XW60K	-15°C	-17°C	2°C	11°C	23 Min	Electric Defrost	Remote Mount Option
KSFT 2600 - 4	XW60K	-15°C	-17°C	2°C	11°C	24 Min	Electric Defrost	Remote Mount Option

\* Remote touch pad supplied with cable up to 10 metres for units supplied with XW60K thermostat.  
 \* Note: Temperature ratings are available on page 4.



# Kirby Drop-In Packaged Refrigeration Units

## Physical Specifications



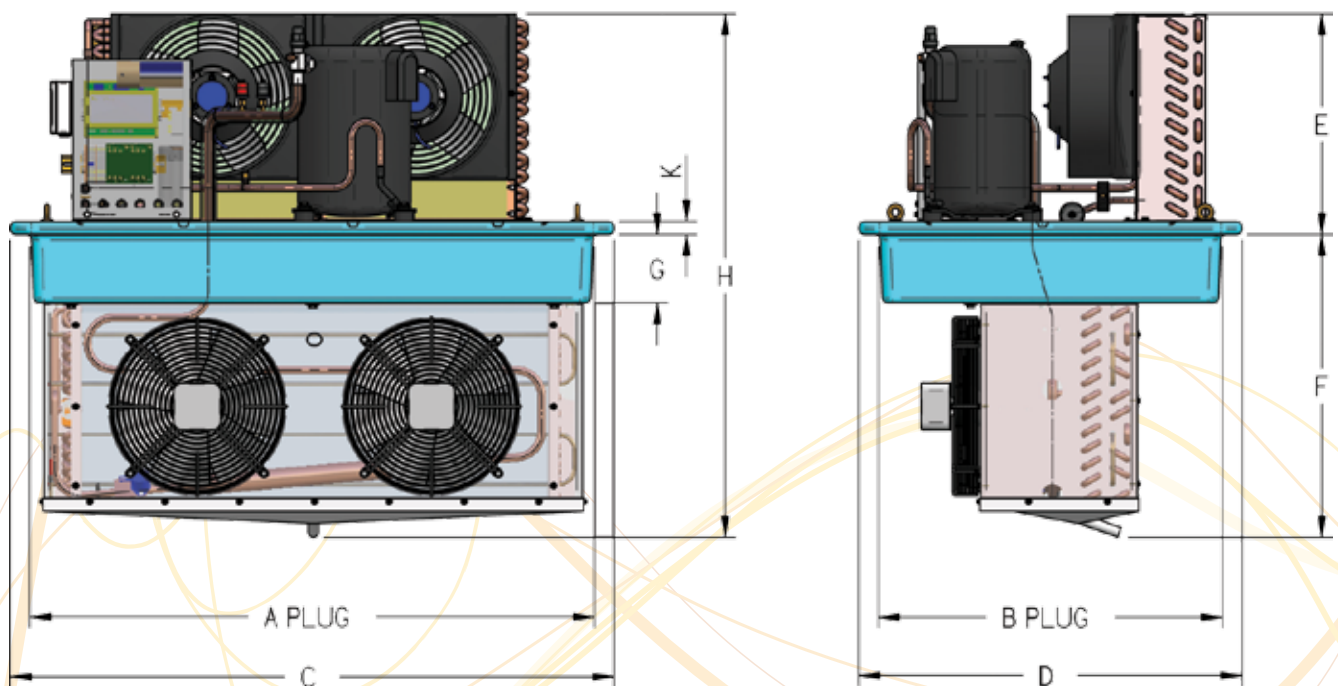
### Medium Temperature

Model Number	Dimensions (mm)									Packed Weight (kg)	Shipping Volume (m <sup>3</sup> )
	A	B	C	D	E	F	G	H	K		
KPC 800 - 4	810	420	890	500	290	210	60	500	20	33	0.24
KPC 1000 - 4	810	420	890	500	290	210	60	500	20	35	0.24
KPC 1200 - 4	1030	420	1117	507	351	226	35	577	33	48	0.35
KPC 1400 - 4	1030	420	1117	507	351	226	35	577	33	52	0.35
KPC 1700 - 4	1030	420	1117	507	351	226	35	577	33	60	0.35
KSC 1800 - 4	645	535	705	595	338	582	105	920	20	104	0.45
KSC 2000 - 4	645	535	705	595	384	566	105	950	20	107	0.45
KSC 2900 - 4	1070	645	1150	730	420	576	130	996	25	140	0.98
KSC 4100 - 4	1070	645	1150	730	420	637	130	1057	25	172	0.98

### Low Temperature

Model Number	Dimensions (mm)									Packed Weight (kg)	Shipping Volume (m <sup>3</sup> )
	A	B	C	D	E	F	G	H	K		
KPF 1000 - 4	1030	420	1117	507	351	226	35	577	33	48	0.35
KPF 1200 - 4	1030	420	1117	507	351	226	35	577	33	60	0.35
KSF 1500 - 4	645	535	705	595	385	579	105	964	20	108	0.45
KSF 2000 - 4	1070	645	1150	730	420	576	130	996	25	155	0.98
KSFT 2600 - 4	1070	645	1150	730	430	637	130	1067	25	160	0.98

**Note:** Add 15mm to plug dimensions "A" & "B" shown in diagrams for clearance hole size. Hole must be cut square.



For further information please refer to your **Kirby Drop-In Handbook** which is supplied with the product.



australia **13 23 50**  
heatcraft.com.au

new zealand **0800 653 330**  
heatcraft.co.nz



**Australia Head Office**

**Heatcraft Australia Pty Ltd**, 286 Horsley Road,  
Milperra NSW 2214 Locked Bag 63, Wetherill Park  
NSW 1851 (+61) 2 9774 7155

**New Zealand Head Office**

**Heatcraft New Zealand Pty Ltd**  
12 George Bourke Drive, Mt Wellington PO Box  
12371 Penrose, Auckland (+64) 9 276 4888