

# Semi Hermetic 2 Cylinder Basic Units

A quieter, more powerful range



1.58kW 13.87W

# Semi Hermetic 2 Cylinder Basic Units

## Product Overview



Built smart, compact and tough the Kirby Semi Hermetic 2 Cylinder Basic Unit range offers leading performance, efficiency, high durability and a quiet operation.

The Dorin H Series compressors achieve high C.O.P values and high motor efficiency made possible through smart design principals.

With ultimate reliability and ease of installation the Kirby Basic Unit design is tailored for the most difficult projects, and is easily connected to remote aircooled condenser such as the Kirby KRC.

### Standard Configuration

- 11 models available @ 2.89 to 22.3 m<sup>3</sup>/hr
- Low/medium and high temperature applications
- Compact with reduced operational weight
- High performance Dorin H series compressors
- Thermik internal motor protection
- Crankcase heater
- Single phase 240V units are supplied with a relay and capacitor box fitted where applicable
- 2 common base designs - Powder coated finish
- One piece copper tube design adapted for reliability
- Oil separator
- Dual auto HP/LP control and flexible lines
- Liquid line drier and moisture indicator
- Wooden skid part crate packing

### Optional Ancillary Configurations

- Liquid line solenoid valve
- Head cooling fan assembly
- Suction accumulator
- Oil watch alarm control - compressor sump level
- DOL electrical control panel IP44 - fully wired contactor/overload, circuit breaker and isolation switch
- MP15 (3ph. units only)



NOMENCLATURE: PC		S	XXX	LMH	B	-2
<b>UNIT TYPE</b> PC = INDOOR UNIT						<b>POWER SUPPLY &amp; RELEASE NUMBER (SEQUENTIAL)</b> (- 2) = 3 PHASE SUPPLY (- 1) = SINGLE PHASE SUPPLY
<b>COMPRESSOR TYPE</b> S = SEMI-HERMETIC RECIP						<b>CONDENSER TYPE</b> B = BASIC UNIT (NO CONDENSER), WITH NO FOLLOWING NUMBER
<b>RATED CAPACITY (R404A) WATTS / 100</b> AIR COOLED = 45°C SCT LM, LMH & MH @ -5°C SST				<b>APPLICATION RANGE</b> L (LOW), M (MED), H (HIGH) AND COMBINATIONS		

# Semi Hermetic 2 Cylinder Basic Units

## Performance Data - R134a



### Medium / High Temperature

Product Number	Model	Cond. Temp (°C)		Capacity (Watts) Q				Power Input (kW) P		
				Evaporating Temperature SST.						
				+10	+5	0	-5	-10	-15	-20
PCS016LMHB-1 PCS016LMHB-2	H40CC/HTCR	35	Q	2180	1790	1450	1160	910	710	530
			P	0.51	0.47	0.43	0.40	0.36	0.33	0.29
		45	Q	1920	1570	1270	1010	790	600	440
			P	0.58	0.53	0.49	0.44	0.40	0.36	0.32
PCS016LMHB-1 PCS016LMHB-2	H75CC/HTCR	35	Q	3120	2550	2070	1650	1290	980	730
			P	0.63	0.61	0.58	0.55	0.50	0.45	0.40
		45	Q	2740	2240	1800	1430	1110	830	600
			P	0.77	0.72	0.67	0.61	0.55	0.49	0.43
PCS032LMHB-1 PCS032LMHB-2	H100CC/HTCR	35	Q	4290	3540	2900	2340	1860	1460	1120
			P	0.92	0.89	0.84	0.78	0.72	0.65	0.58
		45	Q	3760	3100	2520	2030	1610	1250	940
			P	1.11	1.04	0.97	0.89	0.80	0.71	0.63
PCS039LMHB-1 PCS039LMHB-2	H150CC/HTCR	35	Q	4770	3950	3240	2640	2120	1680	1310
			P	0.95	0.97	0.96	0.93	0.87	0.81	0.74
		45	Q	4430	3660	2990	2420	1940	1520	1170
			P	1.18	1.15	1.09	1.02	0.94	0.85	0.76
PCS044LMHB-2	H180CC/HTCR	35	Q	5820	4810	3940	3190	2550	2000	1550
			P	1.13	1.14	1.12	1.08	1.01	0.93	0.84
		45	Q	5240	4320	3530	2850	2270	1770	1350
			P	1.38	1.34	1.27	1.18	1.08	0.98	0.88
PCS050LMHB-2	H200CC/HTCR	35	Q	6410	5300	4330	3500	2790	2190	1690
			P	1.22	1.21	1.18	1.14	1.08	1.02	0.96
		45	Q	5810	4790	3900	3140	2490	1930	1470
			P	1.50	1.43	1.35	1.27	1.17	1.08	0.99
PCS058LMHB-2	H220CC/HTCR	35	Q	7540	6230	5100	4120	3290	2590	1990
			P	1.50	1.45	1.39	1.32	1.25	1.17	1.09
		45	Q	6790	5590	4560	3670	2910	2260	1720
			P	1.81	1.71	1.61	1.50	1.39	1.27	1.15
PCS073LMHB-2	H280CC/HTCR	35	Q	10050	8300	6790	5490	4380	3440	2650
			P	1.82	1.78	1.72	1.63	1.52	1.40	1.28
		45	Q	8790	7230	5900	4750	3770	2940	2230
			P	2.21	2.11	1.98	1.84	1.69	1.53	1.38
PCS084LMHB-2	H300CC/HTCR	35	Q	11110	9140	7430	5950	4690	3620	2720
			P	2.14	2.09	2.00	1.87	1.72	1.54	1.35
		45	Q	9590	7860	6360	5060	3960	3020	2240
			P	2.52	2.41	2.27	2.09	1.89	1.67	1.43
PCS092LMHB-2	H350CC/HTCR	35	Q	12270	10090	8200	6560	5170	3980	2990
			P	2.37	2.28	2.16	2.00	1.83	1.65	1.46
		45	Q	10620	8700	7030	5600	4370	3330	2460
			P	2.78	2.62	2.43	2.21	1.99	1.77	1.55
PCS103LMHB-2	H380CC/HTCR	35	Q	13250	10950	8940	7210	5730	4480	3430
			P	2.49	2.47	2.37	2.21	2.01	1.79	1.55
		45	Q	11490	9460	7710	6200	4910	3820	2900
			P	2.95	2.83	2.64	2.42	2.16	1.89	1.63
PCS114LMHB-2	H403CC/HTCR	35	Q	15100	12450	10160	8200	6520	5100	3900
			P	2.72	2.70	2.60	2.43	2.21	1.97	1.72
		45	Q	13550	11130	9040	7250	5720	4420	3320
			P	3.30	3.15	2.94	2.68	2.39	2.10	1.82
PCS139LMHB-2	H503CC/HTCR	35	Q	17910	14760	12040	9700	7710	6020	4590
			P	3.38	3.30	3.12	2.88	2.58	2.26	1.94
		45	Q	15960	13110	10640	8530	6730	5200	3900
			P	4.00	3.78	3.48	3.14	2.78	2.41	2.07

Frequency 50Hz

# Semi Hermetic 2 Cylinder Basic Units

## Performance Data - R404A / R507



### Low / Medium / High Temperature

Product Number	Model	Cond. Temp (°C)	Capacity (Watts) Q						Power Input (kW) P					
			Evaporating Temperature SST.											
			+10	+5	0	-5	-10	-15	-20	-25	-30	-35	-40	
PCS016LMHB-1 PCS016LMHB-2	H40CC/HTCR	35	Q	3290	2780	2340	1940	1600	1300	1040	820	630	480	350
			P	0.72	0.71	0.69	0.67	0.63	0.59	0.55	0.49	0.44	0.38	0.31
		45	Q	2720	2290	1910	1580	1300	1050	840	660	500	370	260
			P	0.87	0.84	0.81	0.76	0.71	0.65	0.59	0.53	0.46	0.39	0.31
PCS016LMHB-1 PCS016LMHB-2	H75CC/HTCR	35	Q	4490	3790	3180	2640	2170	1770	1430	1130	880	670	490
			P	0.96	0.97	0.96	0.93	0.88	0.81	0.75	0.68	0.61	0.56	0.53
		45	Q	3700	3120	2610	2170	1790	1450	1160	910	690	490	310
			P	1.21	1.17	1.12	1.05	0.97	0.89	0.80	0.73	0.67	0.62	0.60
PCS032LMHB-1 PCS032LMHB-2	H100CC/HTCR	35	Q	6560	5540	4640	3860	3180	2590	2090	1660	1290	980	720
			P	1.40	1.41	1.39	1.33	1.26	1.18	1.10	1.03	0.98	0.95	0.96
		45	Q			3820	3170	2610	2120	1700	1330	1010	720	460
			P			1.62	1.51	1.40	1.29	1.19	1.11	1.06	1.04	1.07
PCS039LMHB-1 PCS039LMHB-2	H150CC/HTCR	35	Q	8000	6760	5670	4710	3880	3160	2550	2020	1560	1170	830
			P	1.66	1.66	1.63	1.58	1.51	1.41	1.31	1.19	1.06	0.93	0.80
		45	Q			4660	3870	3190	2590	2070	1610	1200	830	490
			P			1.92	1.82	1.69	1.55	1.40	1.24	1.08	0.92	0.76
PCS044LMHB-2	H180CC/HTCR	35	Q	9150	7730	6470	5380	4420	3600	2890	2290	1770	1320	930
			P	1.99	1.96	1.90	1.82	1.72	1.61	1.48	1.35	1.21	1.07	0.93
		45	Q		6360	5320	4420	3630	2950	2350	1830	1360	940	550
			P		2.32	2.20	2.07	1.92	1.77	1.60	1.43	1.26	1.08	0.91
PCS050LMHB-2	H200CC/HTCR	35	Q	10250	8660	7260	6030	4970	4050	3260	2580	2000	1500	1060
			P	2.09	2.09	2.06	1.99	1.89	1.78	1.64	1.50	1.34	1.19	1.04
		45	Q	8440	7130	5970	4960	4080	3310	2640	2060	1540	1060	630
			P	2.63	2.54	2.43	2.29	2.13	1.95	1.76	1.57	1.38	1.19	1.01
PCS058LMHB-2	H220CC/HTCR	35	Q	11930	10080	8450	7020	5780	4710	3790	3010	2330	1750	1240
			P	2.43	2.45	2.41	2.33	2.21	2.06	1.89	1.71	1.52	1.34	1.17
		45	Q	9830	8290	6950	5770	4750	3860	3080	2390	1790	1240	730
			P	3.03	2.95	2.82	2.66	2.47	2.26	2.03	1.81	1.59	1.38	1.19
PCS073LMHB-2	H280CC/HTCR	35	Q	14890	12570	10530	8740	7190	5850	4700	3710	2860	2130	1490
			P	3.12	3.21	3.19	3.10	2.93	2.72	2.47	2.21	1.95	1.71	1.50
		45	Q	12410	10460	8750	7260	5950	4820	3830	2960	2190	1490	850
			P	3.85	3.78	3.64	3.42	3.17	2.88	2.58	2.29	2.02	1.78	1.60
PCS084LMHB-2	H300CC/HTCR	35	Q	17930	15170	12720	10570	8670	7030	5620	4420	3400	2560	1870
			P	3.52	3.56	3.51	3.38	3.19	2.95	2.68	2.39	2.10	1.82	1.57
		45	Q	14980	12630	10550	8730	7130	5760	4570	3560	2700	1980	1370
			P	4.41	4.30	4.11	3.85	3.54	3.21	2.85	2.49	2.14	1.81	1.53
PCS092LMHB-2	H350CC/HTCR	35	Q	19130	16220	13640	11370	9380	7660	6180	4920	3840	2930	2160
			P	3.93	3.95	3.88	3.74	3.53	3.27	2.97	2.66	2.35	2.04	1.76
		45	Q	16150	13620	11400	9450	7770	6310	5060	3990	3080	2310	1640
			P	4.90	4.77	4.55	4.27	3.94	3.58	3.19	2.81	2.43	2.07	1.75
PCS103LMHB-2	H380CC/HTCR	35	Q	20990	17820	15010	12540	10370	8490	6860	5470	4290	3290	2460
			P	4.45	4.46	4.38	4.21	3.97	3.69	3.37	3.02	2.67	2.33	2.02
		45	Q			12570	10470	8630	7040	5680	4500	3500	2650	1910
			P			5.15	4.84	4.48	4.08	3.65	3.23	2.80	2.41	2.05
PCS114LMHB-2	H403CCHTCR	35	Q	23620	19820	16510	13630	11150	9020	7230				
			P	4.35	4.36	4.29	4.14	3.94	3.69	3.41				
		45	Q	20070	16760	13880	11400	9270	7450	5910				
			P	5.45	5.28	5.04	4.74	4.39	4.01	3.61				
PCS139LMHB-2	H503CCHTCR	35	Q	27970	23770	20020	16700	13760	11200	8960	7040	5400	4010	2840
			P	5.59	5.50	5.32	5.06	4.74	4.37	3.96	3.53	3.09	2.66	2.25
		45	Q	23530	19920	16710	13870	11380	9200	7320	5690	4300	3110	2100
			P	6.72	6.43	6.06	5.63	5.16	4.65	4.13	3.60	3.08	2.58	2.13

Frequency 50Hz

# Semi Hermetic 2 Cylinder Basic Units

## Performance Data - R407C



### Standard and Optional Configurations

Product Number	Model	Cond. Temp (°C)		Capacity (Watts) Q				Power Input (kW) P		
				Evaporating Temperature SST.						
				+10	+5	0	-5	-10	-15	-20
PCS016LMHB-1 PCS016LMHB-2	H40CC/HTCR	40	Q	2970	2450	1990	1600	1270	990	740
			P	0.68	0.67	0.64	0.60	0.55	0.50	0.44
		50	Q	2540	2090	1690	1350	1060	810	600
			P	0.81	0.78	0.73	0.67	0.60	0.54	0.48
PCS016LMHB-1 PCS016LMHB-2	H75CC/HTCR	40	Q	4000	3300	2690	2170	1720	1340	1020
			P	0.91	0.90	0.86	0.81	0.74	0.67	0.59
		50	Q	3430	2820	2290	1840	1450	1110	820
			P	1.09	1.04	0.97	0.89	0.81	0.72	0.64
PCS032LMHB-1 PCS032LMHB-2	H100CC/HTCR	40	Q	5470	4510	3680	2970	2350	1830	1380
			P	1.25	1.23	1.18	1.11	1.02	0.91	0.81
		50	Q	4690	3860	3130	2510	1980	1520	1120
			P	1.49	1.42	1.33	1.23	1.11	0.99	0.88
PCS039LMHB-1 PCS039LMHB-2	H150CC/HTCR	40	Q	7020	5800	4740	3820	3040	2370	1800
			P	1.59	1.57	1.50	1.41	1.29	1.16	1.03
		50	Q	6040	4970	4040	3250	2560	1980	1470
			P	1.90	1.81	1.70	1.56	1.41	1.26	1.12
PCS044LMHB-2	H180CC/HTCR	40	Q	8000	6610	5400	4360	3470	2710	2060
			P	1.83	1.80	1.73	1.62	1.48	1.33	1.17
		50	Q	6890	5680	4620	3710	2930	2260	1690
			P	2.17	2.07	1.94	1.78	1.61	1.44	1.27
PCS050LMHB-2	H200CC/HTCR	40	Q	8820	7280	5950	4800	3820	2980	2260
			P	2.06	2.01	1.91	1.78	1.62	1.46	1.30
		50	Q	7560	6230	5070	4070	3220	2480	1850
			P	2.40	2.27	2.12	1.94	1.75	1.57	1.39
PCS058LMHB-2	H220CC/HTCR	40	Q	10260	8470	6930	5600	4460	3480	2650
			P	2.33	2.29	2.19	2.05	1.89	1.71	1.53
		50	Q	8830	7270	5920	4760	3760	2900	2160
			P	2.79	2.66	2.48	2.28	2.07	1.87	1.68
PCS073LMHB-2	H280CC/HTCR	40	Q	13110	10830	8850	7150	5680	4440	3370
			P	2.89	2.83	2.70	2.53	2.32	2.10	1.88
		50	Q	11420	9400	7650	6140	4840	3730	2770
			P	3.47	3.29	3.07	2.82	2.56	2.30	2.05
PCS084LMHB-2	H300CC/HTCR	40	Q	15660	12850	10420	8310	6510	4960	3660
			P	3.41	3.30	3.13	2.92	2.67	2.38	2.08
		50	Q	13210	10780	8680	6860	5310	3980	2840
			P	4.05	3.81	3.53	3.21	2.87	2.51	2.14
PCS092LMHB-2	H350CC/HTCR	40	Q	17290	14100	11350	9010	7020	5370	4000
			P	3.68	3.58	3.40	3.15	2.87	2.57	2.26
		50	Q	14340	11590	9240	7250	5590	4200	3070
			P	4.44	4.16	3.83	3.46	3.08	2.70	2.34
PCS103LMHB-2	H380CC/HTCR	40	Q	19410	15960	12970	10390	8190	6330	4770
			P	4.13	4.04	3.85	3.60	3.29	2.95	2.61
		50	Q	16030	13110	10590	8440	6600	5050	3740
			P	5.05	4.74	4.38	3.97	3.56	3.14	2.76
PCS114LMHB-2	H403CCHTCR	40	Q	21230	17460	14190	11370	8960	6900	5150
			P	4.25	4.18	4.02	3.79	3.49	3.13	2.74
		50	Q	18350	14980	12070	9570	7430	5590	4020
			P	5.20	4.97	4.65	4.27	3.84	3.37	2.86
PCS139LMHB-2	H503CCHTCR	40	Q	26350	21660	17590	14090	11090	8530	6350
			P	5.50	5.34	5.06	4.69	4.25	3.76	3.26
		50	Q	22630	18480	14900	11810	9170	6910	4970
			P	6.59	6.22	5.75	5.22	4.65	4.06	3.47

Frequency 50Hz

# Semi Hermetic 2 Cylinder Basic Units

## Technical Data



### Low / Medium / High Temperature

	Product Number	Receiver Volume (Litre)	Liquid Receiver Inlet	Liquid Line Size	Suction Size	Suction Size With Accumulator	Discharge Size (O/Sep Outlet)	Weight Without Crate (kg)	Weight With Crate	Shipping Volume (m <sup>3</sup> )
Small Base	PCS016LMHB-1	4.4	1/2"	1/2"	1/2"	5/8"	1/2"	67	83	0.42
	PCS016LMHB-2	4.4	1/2"	1/2"	1/2"	5/8"	1/2"	67	83	0.42
	PCS022LMHB-1	4.4	1/2"	1/2"	5/8"	5/8"	1/2"	69	85	0.42
	PCS022LMHB-2	4.4	1/2"	1/2"	5/8"	5/8"	1/2"	69	85	0.42
	PCS032LMHB-1	4.4	1/2"	1/2"	5/8"	5/8"	1/2"	71	87	0.42
	PCS032LMHB-2	4.4	1/2"	1/2"	5/8"	5/8"	1/2"	71	87	0.42
	PCS039LMHB-1	4.4	1/2"	1/2"	5/8"	5/8"	1/2"	72	88	0.42
	PCS039LMHB-2	4.4	1/2"	1/2"	5/8"	5/8"	1/2"	72	88	0.42
	PCS044LMHB-2	4.4	1/2"	1/2"	5/8"	5/8"	1/2"	74	90	0.42
	PCS050LMHB-2	4.4	1/2"	1/2"	5/8"	5/8"	1/2"	75	91	0.42
	PCS058LMHB-2	4.4	1/2"	1/2"	5/8"	5/8"	5/8"	76	92	0.42
Large Base	PCS073LMHB-2	8.2	5/8"	5/8"	3/4"	5/8"	5/8"	79	95	0.42
	PCS084LMHB-2	8.2	5/8"	5/8"	7/8"	3/4"	5/8"	102	121	0.6
	PCS092LMHB-2	8.2	5/8"	5/8"	1-1/8"	3/4"	5/8"	102	121	0.6
	PCS103LMHB-2	8.2	5/8"	5/8"	1-1/8"	3/4"	5/8"	104	123	0.6
	PCS114LMHB-2	8.2	5/8"	5/8"	1-1/8"	1-1/8"	7/8"	128	147	0.6
	PCS139LMHB-2	8.2	5/8"	5/8"	1-1/8"	1-1/8"	7/8"	131	150	0.6

	Product Number	Compressor Model	Nominal HP	Displacement		Motor Type	Motor Type			Compressor Oil Charge (POE)
				cm <sup>3</sup> /rev	m <sup>3</sup> /h		R.L.A* Amps/ph	M.C.C** Amps/ph	L.R.A## Amps/ph	
Small Base	PCS016LMHB-1	H40CC-S/HTCR	0.75	33.2	2.89	1PH	1.6	2.4	11.1	1.0
	PCS016LMHB-2	H40CC/HTCR	0.5	33.2	2.89	3PH	4.4	6	30	1.0
	PCS022LMHB-1	H75CC-S/HTCR	1	44.4	3.86	1PH	2.1	2.9	13.8	1.0
	PCS022LMHB-2	H75CC/HTCR	1	44.4	3.86	3PH	6.6	9	44	1.0
	PCS032LMHB-1	H100CC-S/HTCR	1.8	60.9	5.30	1PH	2.7	4.4	20	1.0
	PCS032LMHB-2	H100CC/HTCR	1.5	60.9	5.30	3PH	6.8	10	62	1.0
	PCS039LMHB-1	H150CC-S/HTCR	3	77.6	6.75	1PH	3.1	6	24.4	1.0
	PCS039LMHB-2	H150CC/HTCR	2	77.6	6.75	3PH	7.5	13.5	69	1.0
	PCS044LMHB-2	H180CC/HTCR	3	88.6	7.71	3PH	3.8	6	24.4	1.0
	PCS050LMHB-2	H200CC/HTCR	3	97.3	8.47	3PH	3.8	6	24.4	1.0
	PCS058LMHB-2	H220CC/HTCR	3	113.6	9.88	3PH	4.5	6	24.4	1.0
Large Base	PCS073LMHB-2	H280CC/HTCR	3.8	139.9	12.17	3PH	6.2	9.4	43.6	1.0
	PCS084LMHB-2	H300CC/HTCR	3.8	169.5	14.74	3PH	6.9	9.4	43.6	1.4
	PCS092LMHB-2	H350CC/HTCR	3.8	183.2	15.94	3PH	7.3	9.4	43.6	1.4
	PCS103LMHB-2	H380CC/HTCR	3.8	201.5	17.53	3PH	8.1	9.4	43.6	1.4
	PCS114LMHB-2	H403CC/HTCR	5.5	229.7	19.98	3PH	8.5	13.5	63.1	2.0
	PCS139LMHB-2	H503CC/HTCR	7.5	262.5	22.83	3PH	11.1	17.5	86	2.0

\* = Comp. Rated Load Amps at -5° SST R404A / R507, S.C.T. at compressor nominal rating conditions (+50°C SCT Maximum)

\*\* = Maximum Continuous Current (Compressor Manufacturers' data).

\*\*\* = Unit Input Watts & Rated Load Amps at Comp. Nominal rating conditions, + Fans.

# = Unit Maximum Continuous Current based on Compressor M.C.C. plus Fan R.L.A.

## = Locked Rotor Current

3 Phase 380-420 / 3 / 50

1 Phase 220-240 / 3 / 50

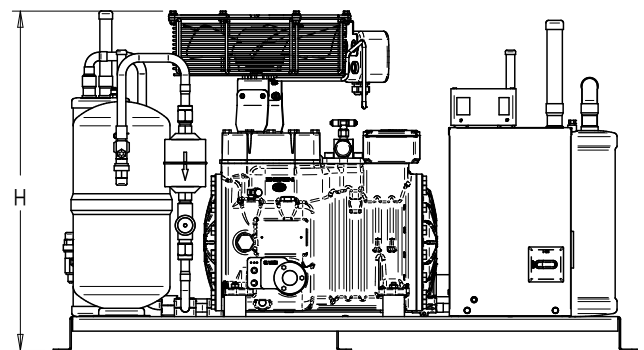
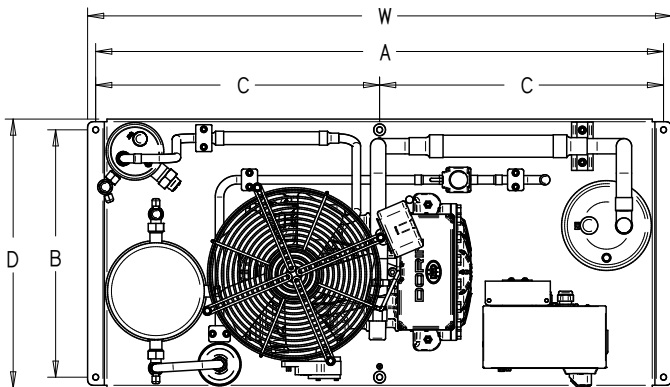
# Semi Hermetic 2 Cylinder Basic Units

## Technical Data



### Standard and Optional Configurations

	Product Number	Oil Separator	Auto LP/HP (Flexi Cap Lines)	Liquid Line Drier/SG	Liquid Receiver	LL-SOL VALVE (240VN/C.)	Suction Accum	Head Cooling Unit	Oil Watch - Alarm Control	DOL Electrical Panel - Fully Wired
Small Base	PCS016LMHB-1	STD (1/2")	STD	STD	STD	KP562-1F	KP563-1F	KP434-1F	KP564-1F	KP565-6F
	PCS016LMHB-2	STD (1/2")	STD	STD	STD	KP562-1F	KP563-1F	KP434-1F	KP564-1F	KP565-1F
	PCS022LMHB-1	STD (1/2")	STD	STD	STD	KP562-1F	KP563-2F	KP434-1F	KP564-1F	KP565-7F
	PCS022LMHB-2	STD (1/2")	STD	STD	STD	KP562-1F	KP563-2F	KP434-1F	KP564-1F	KP565-1F
	PCS032LMHB-1	STD (1/2")	STD	STD	STD	KP562-1F	KP563-2F	KP434-1F	KP564-1F	KP565-8F
	PCS032LMHB-2	STD (1/2")	STD	STD	STD	KP562-1F	KP563-2F	KP434-1F	KP564-1F	KP565-2F
	PCS039LMHB-1	STD (1/2")	STD	STD	STD	KP562-1F	KP563-2F	KP434-1F	KP564-1F	KP565-9F
	PCS039LMHB-2	STD (1/2")	STD	STD	STD	KP562-1F	KP563-2F	KP434-1F	KP564-1F	KP565-3F
	PCS044LMHB-2	STD (1/2")	STD	STD	STD	KP562-1F	KP563-2F	KP434-1F	KP564-1F	KP565-3F
	PCS050LMHB-2	STD (1/2")	STD	STD	STD	KP562-1F	KP563-2F	KP434-1F	KP564-1F	KP565-3F
PCS058LMHB-2	STD (1/2")	STD	STD	STD	KP562-1F	KP563-3F	KP434-1F	KP564-1F	KP565-3F	
PCS073LMHB-2	STD (5/8")	STD	STD	STD	KP562-2F	KP563-3F	KP434-1F	KP564-1F	KP565-4F	
Large Base	PCS084LMHB-2	STD (5/8")	STD	STD	STD	KP562-2F	KP563-4F	KP434-2F	KP564-1F	KP565-4F
	PCS092LMHB-2	STD (5/8")	STD	STD	STD	KP562-2F	KP563-5F	KP434-2F	KP564-1F	KP565-4F
	PCS103LMHB-2	STD (5/8")	STD	STD	STD	KP562-2F	KP563-5F	KP434-2F	KP564-1F	KP565-4F
	PCS114LMHB-2	STD (7/8")	STD	STD	STD	KP562-2F	KP563-6F	KP434-1F	KP564-1F	KP565-5F
	PCS139LMHB-2	STD (7/8")	STD	STD	STD	KP562-2F	KP563-6F	KP434-1F	KP564-1F	KP565-5F



Product Number	Width (mm)	Depth (mm)	Height (mm)	Mounting Centres		
	W	D	H	A	B	C
PCS016LMHB-1 TO PCS073LMHB-2	963	400	567	933	361	N/A
PCS084LMHB-2 TO PCS139LMHB-2	1086	500	631	1056	460	528



australia **13 23 50**  
heatcraft.com.au

new zealand **0800 653 330**  
heatcraft.co.nz



**Australia Head Office**

**Heatcraft Australia Pty Ltd**, 286 Horsley Road,  
Milperra NSW 2214 Locked Bag 63, Wetherill Park  
NSW 1851 (+61) 2 9774 7155

**New Zealand Head Office**

**Heatcraft New Zealand Pty Ltd**  
12 George Bourke Drive, Mt Wellington PO Box  
12371 Penrose, Auckland (+64) 9 276 4888